

PROJECT	FIRM	ORDER #	TYPE	QTY
---------	------	---------	------	-----



PL-LNR 12 is a linear wall washer with a clean, efficient profile for interior and exterior projects — hotels, villas, clubs, opera houses, museums, exhibition centres, stores, boutiques and homes. The extruded aluminium body has die-cast end caps with a silicone seal and a 4 mm clear tempered-glass optical screen.

Available in static CCT (2700–5700 K) and RGBW, controlled over DMX, with a choice of seven beam angles from 10° to 60° plus elliptical optics. Two nickel-finished brass glands and a neoprene cable allow daisy-chain connection; the fitting surface-mounts on adjustable brackets. Eco-friendly with low energy use and excellent thermal management for energy savings and long life.

Features

- Linear wall washer for interior and exterior architectural projects.
- Static CCT (2700–5700 K) and RGBW versions, controlled via DMX.
- Seven beam angles — 10° / 15° / 25° / 30° / 60° plus 15°×30° and 10°×60° elliptical.
- Extruded aluminium body with die-cast end caps, silicone seal and 4 mm tempered-glass screen.
- IP67 · IK08 · Class III (SELV) — durable for demanding indoor and outdoor sites.
- Daisy-chain brass glands with neoprene lead; surface mount on adjustable brackets; any RAL finish.

At a glance

<p>⚡ Power 12 W · 24 V DC</p>	<p>◆ Protection IP67 · IK08</p>	<p>✱ Beam 7 beam angle options</p>	<p>● Class Class III · SELV</p>	<p>◆ CRI / Cert. RA80+ (3000 K) CE compliant</p>	<p>★ Warranty 5 years, limited</p>
--	--	---	--	---	---

PROJECT	FIRM	ORDER #	TYPE	QTY
---------	------	---------	------	-----

Variant matrix

Photometric and electrical performance by colour family (per 1000 mm).

PL-LNR-12-*	LED type	LED qty	Power	Output (source)	Control	Beam angles
Static CCT	SMD 5050	48 pcs	12 W	1140 lm	DMX	10°-60°
Static RGBW	SMD 5050	48 pcs	12 W	1140 lm	DMX	10°-60°

Specifications

Series	Linear Wallwasher Series — RGBW / CCT
Product code	PL-LNR-12-*. (see Configure your product on page 4)
LED type	SMD 5050
LED quantity	48 pcs (per 1000 mm)
Operating voltage	24 V DC
Power	12 W (per 1000 mm)
Luminous output	1140 lm at source · 780 lm delivered
CRI	RA80+ (based on 3000 K)
CCT options	Static: 2700 K · 3000 K · 3500 K · 4000 K · 5700 K
RGBW options	RGBW — 3000 K · RGBW — 4000 K
Beam angle	10° · 15° · 25° · 30° · 60° · 15°×30° · 10°×60°
Control protocol	DMX
IP rating	IP67
IK rating	IK08
Insulation class	Class III (SELV)
Dimensions	L 1000 mm × W 26 mm × H 50 mm (H 20 mm without bracket)
Custom lengths	1000 mm (standard) · 500 mm · 300 mm
Weight	0.65 kg (per 1000 mm)
Housing / screen	Extruded aluminium · die-cast end caps · 4 mm tempered glass
Finish	Powder-coat grey (RAL 9006) · any RAL on request
LED lifetime	80% lumen maintenance after 50,000 hours
Installation	Surface mount on adjustable brackets · daisy-chain (0.3 m H05RN-F lead)

PROJECT	FIRM	ORDER #	TYPE	QTY
---------	------	---------	------	-----

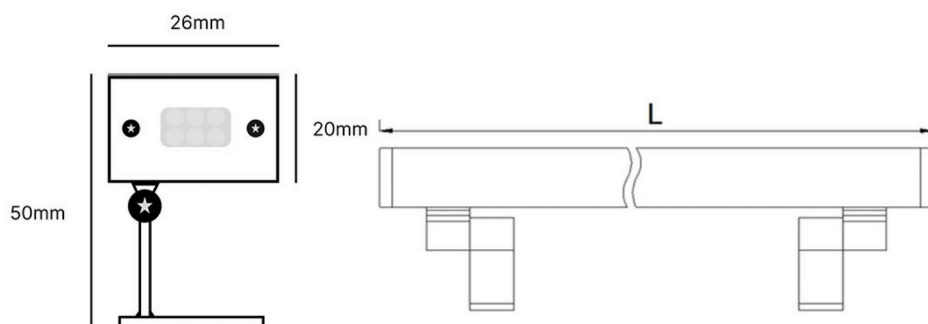
Dimensions

Profile & length

Body cross-section 26 mm (W) × 20 mm (H); 50 mm overall height including the adjustable bracket. Standard length 1000 mm; custom 500 mm and 300 mm available.

Construction

Extruded aluminium body with die-cast end caps and silicone seal, 4 mm tempered-glass screen. Powder-coat grey (RAL 9006) standard, any RAL on request. Weight 0.65 kg per 1000 mm.



Overall dimensions (mm): body 26 (W) × 20 (H), 50 mm overall height with adjustable bracket.

Installation

Mounting

- Surface-mount the fitting with the adjustable brackets and screws, then tilt to set the wash angle. The slim profile suits walls, ceilings and coves.
- Adjustable brackets allow precise aiming after fixing.

Electrical & control

- Power from a 24 V DC supply (Class III / SELV), 12 W per 1000 mm plus headroom.
- Control over DMX for dimming and colour. Daisy-chain fixtures via the two brass glands and the 0.3 m neoprene H05RN-F lead.
- IP67 — seal all connections to the same rating for outdoor use.

PROJECT	FIRM	ORDER #	TYPE	QTY
---------	------	---------	------	-----

Configure your product

Build your model code in the form PL-LNR-12-<colour>-<beam> — colour A-G (CCT or RGBW) and beam 1-7. Body colour: powder-coat grey (RAL 9006) standard, any RAL on request.

Option	CCT / RGBW variant	Option	Beam angle
A	Static CCT — 2700 K	1	10°
B	Static CCT — 3000 K	2	15°
C	Static CCT — 3500 K	3	25°
D	Static CCT — 4000 K	4	30°
E	Static CCT — 5700 K	5	60°
F	Static RGBW — 3000 K	6	15°×30°
G	Static RGBW — 4000 K	7	10°×60°

Example product codes

PL-LNR-12-A-1 Linear wall washer — Static CCT 2700 K · 10° beam

PL-LNR-12-F-2 Linear wall washer — Static RGBW 3000 K · 15° beam

DMX control

PL-LNR 12 is controlled via DMX. RGBW versions offer full colour mixing; static CCT versions use the DMX signal for dimming. Fixtures daisy-chain over the brass glands for simple multi-unit runs.

Output

Measure	Luminous flux	Avg. LED life
At source	1140 lm	50,000 h (80%)
Delivered	780 lm	50,000 h (80%)

Control notes

- DMX is the control protocol for all versions.
- RGBW (F-G) offer full colour mixing; CCT (A-E) use DMX for dimming.
- Fixtures daisy-chain via the brass glands; power is 24 V DC (Class III / SELV).