

PROJECT	FIRM	ORDER #	TYPE	QTY
---------	------	---------	------	-----



**PL-LNR 10 is a direct-view IntelliBar — a pixel-addressable RGBW linear bar in a rugged extruded aluminium housing with an impact-resistant polycarbonate diffuser. With an IP67 rating it is fully sealed against dust and powerful water jets, suiting both indoor and outdoor architectural, commercial and entertainment lighting.**

Integrated DMX support gives precise control over brightness, colour and dynamic effects, with 8 individually addressable pixels (32 channels) per bar. Choose a flat (120°), square (270°) or round (330°) diffuser to set the beam spread; custom lengths and any RAL body finish are available. Its slim 23 × 23 mm profile installs discreetly along walls, ceilings or structural elements.

## Features

- 8 individually addressable RGBW pixels per bar — 32 DMX channels for smooth gradients and dynamic effects.
- Three diffuser options — flat (120°), square (270°) and round (330°) beam spread.
- Rugged extruded aluminium housing with impact-resistant polycarbonate diffuser; IK08 rated.
- IP67 — fully sealed against dust and powerful water jets for indoor or outdoor use.
- Slim 23 × 23 mm profile for discreet wall, ceiling or structural mounting.
- Custom lengths (500 / 300 mm) and any RAL body finish available on request.

## At a glance

<p>⚡ <b>Power</b> 12 W/m · 24 V DC</p>	<p>◆ <b>Protection</b> IP67 · IK08</p>	<p>☀ <b>Beam</b> 120° / 270° / 330° by diffuser</p>	<p>🌡 <b>Temperature</b> -20 °C to +45 °C</p>	<p>⚡ <b>Output / Cert.</b> 400 lm/m · 33 lm/W CE compliant</p>	<p>★ <b>Warranty</b> 5 years, limited</p>
--	--	---	--	--	---

PROJECT	FIRM	ORDER #	TYPE	QTY
---------	------	---------	------	-----

## Variant matrix

Photometric and electrical performance by diffuser variant (per 1000 mm).

PL-LNR-10	Diffuser	Beam	LED type	Pixels	Power	Output
F — Flat	Polycarbonate	120°	SMD 5050 RGBW	8 px · 32 ch	12 W/m	400 lm/m
S — Square	Polycarbonate	270°	SMD 5050 RGBW	8 px · 32 ch	12 W/m	400 lm/m
R — Round	Polycarbonate	330°	SMD 5050 RGBW	8 px · 32 ch	12 W/m	400 lm/m

## Specifications

<b>Series</b>	Direct View Series — IntelliBar Pixel RGBW
<b>Product code</b>	PL-LNR-10-*. * (see Configure your product on page 4)
<b>LED type</b>	SMD 5050 · 4-in-1 RGBW
<b>LED quantity</b>	48 pcs (per 1000 mm)
<b>Operating voltage</b>	24 V DC
<b>Power</b>	12 W/m
<b>Luminous output</b>	400 lm/m · 33 lm/W
<b>Control protocol</b>	DMX (addressable)
<b>DMX channels</b>	32 channels — RGBW × 8 pixels
<b>Pixels</b>	8 individually addressable pixels (per 1000 mm)
<b>Beam angle</b>	120° (flat) · 270° (square) · 330° (round)
<b>Diffuser</b>	Polycarbonate — flat / square / round
<b>IP rating</b>	IP67
<b>IK rating</b>	IK08
<b>Dimensions</b>	L 1000 mm × W 23 mm × H 23 mm (incl. brackets)
<b>Custom lengths</b>	1000 mm (standard) · 500 mm · 300 mm
<b>Weight</b>	1.6 kg (per 1000 mm)
<b>Housing</b>	Extruded aluminium alloy
<b>Finish</b>	Black (standard) · any RAL on request
<b>Operating temperature</b>	-20 °C to +45 °C
<b>LED lifetime</b>	80% lumen maintenance after 50,000 hours
<b>Installation</b>	Surface mount with brackets and screws

PROJECT	FIRM	ORDER #	TYPE	QTY
---------	------	---------	------	-----

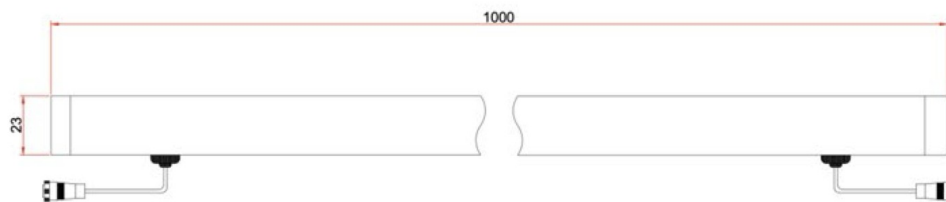
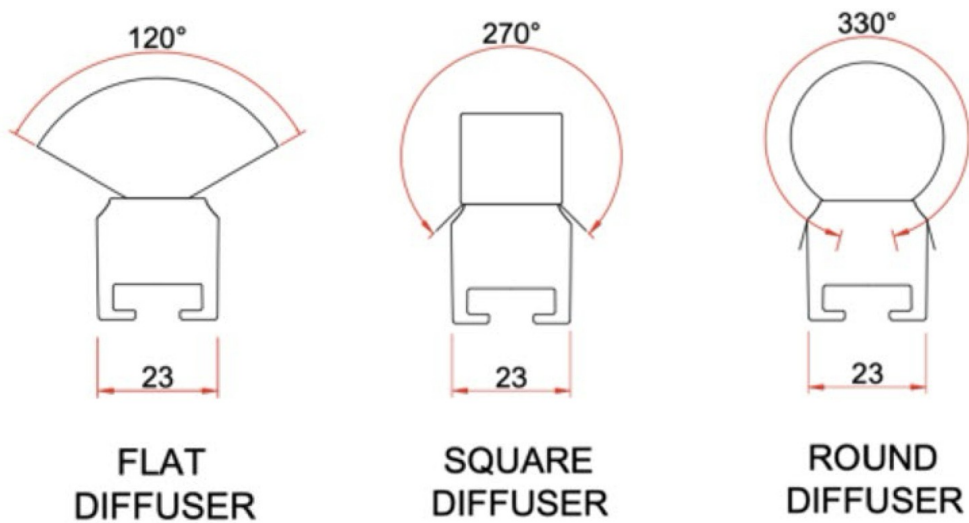
## Dimensions

### Profile & length

Cross-section 23 mm (W) × 23 mm (H), constant along the full length. Standard length 1000 mm; custom 500 mm and 300 mm available. Quoted length includes the mounting brackets.

### Diffuser options

Flat diffuser — 120° beam. Square diffuser — 270° beam. Round diffuser — 330° beam. All diffusers are impact-resistant polycarbonate over the same 23 mm extruded aluminium base; finish in black as standard or any RAL on request.



Diffuser cross-sections (flat 120° · square 270° · round 330°, 23 mm) and overall length (1000 mm).

## Installation

### Mounting

- Fix the bar to a flat substrate with the supplied brackets and screws. The slim 23 mm profile sits discreetly along walls, ceilings or structural elements.
- The extruded aluminium housing and IK08 rating give strong impact resistance for demanding environments.

### Electrical & control

- Power from a 24 V DC constant-voltage driver sized for the total load (12 W/m × length, plus headroom).
- Control over DMX — each bar provides 8 addressable pixels across 32 channels (RGBW × 8); daisy-chain DMX from one bar to the next.
- IP67 — sealed for dust and powerful water jets; seal all cable joints to the same rating for outdoor use.

PROJECT	FIRM	ORDER #	TYPE	QTY
---------	------	---------	------	-----

## Configure your product

Build your model code in the form PL-LNR-10-<diffuser>-<length> — e.g. R-1 for a round-diffuser 1000 mm bar. Choose diffuser (F / S / R) and length (1 / 2 / 3); body colour is black as standard, or specify any RAL.

Option	Diffuser (beam)	Option	Length
F	Flat — 120°	1	1000 mm (standard)
S	Square — 270°	2	500 mm
R	Round — 330°	3	300 mm
		Body	Black (standard) · any RAL

### Example product codes

**PL-LNR-10-R-1** IntelliBar Pixel RGBW — Round diffuser (330°) · 1000 mm

**PL-LNR-10-F-2** IntelliBar Pixel RGBW — Flat diffuser (120°) · 500 mm

## Pixel control & DMX

PL-LNR 10 is fully pixel-addressable over DMX. Each 1000 mm bar provides 8 independently controllable RGBW pixels mapped across 32 DMX channels (four channels — R, G, B, W — per pixel), enabling smooth gradients, chases and dynamic colour effects. Static colour and master dimming are equally supported.

### Pixels & channels

Length	Pixels	DMX channels
1000 mm	8 px	32 ch
500 mm	4 px	16 ch

### Control notes

- DMX is required for all pixel and colour control.
- Each pixel uses 4 channels (R · G · B · W); a 1000 mm bar = 8 pixels = 32 channels.
- Address bars consecutively — up to 16 bars (512 channels) per DMX universe.