

PROJECT	FIRM	ORDER #	TYPE	QTY
---------	------	---------	------	-----



**PL-FLD 40 is a versatile outdoor LED flood projector with a special rotation design that enables infinite positioning for a wide range of light effects. Its minimalistic die-cast aluminium housing makes it a natural fit for architectural facades and landscape lighting.**

Built on 12 CREE / OSRAM high-power LEDs with a broad choice of optics, it offers precise control over brightness, colour and beam angle — available in static CCT, RGBW and RGBWA versions, in 54 W and 72 W ratings.

## Features

- Rotation design with infinite positioning — aim, lock and re-aim for any light effect.
- 12 CREE / OSRAM high-power LEDs — 4590 lm (54 W) or 6120 lm (72 W).
- Eleven beam angle options from 3° to 90°, including 10°×45° and 15°×32° elliptical optics.
- Static CCT, RGBW and RGBWA versions; colour versions controlled via DMX.
- IP67 die-cast aluminium housing, 4 mm tempered glass front, IK05 impact rating.
- Supplied with mounting bracket and screws; optional snoot for glare control.

## At a glance

⚡ <b>Power</b> 54 W / 72 W · 24 V DC	◆ <b>Protection</b> IP67 · IK05	☀ <b>Beam</b> 11 beam angle options	🌡 <b>Temperature</b> -20 °C to +45 °C	◆ <b>CRI / Cert.</b> RA80+ (3000 K) CE compliant	★ <b>Warranty</b> 5 years, limited
---	------------------------------------	--	--	--	---------------------------------------

PROJECT	FIRM	ORDER #	TYPE	QTY
---------	------	---------	------	-----

## Variant matrix

Photometric and electrical performance by variant. The 3° beam angle is available only for static CCT versions.

PL-FLD-40-*	LED type	LED qty	Wattage	Luminous flux	Control	Beam angles
Static CCT — 54 W	CREE / OSRAM high-power	12 pcs	54 W	4590 lm	DMX	3°-90°
Static CCT — 72 W	CREE / OSRAM high-power	12 pcs	72 W	6120 lm	DMX	3°-90°
Static RGBW — 54 W	High-power 4-in-1 RGBW	12 pcs	54 W	4590 lm	DMX	5°-90°
Static RGBW — 72 W	High-power 4-in-1 RGBW	12 pcs	72 W	6120 lm	DMX	5°-90°
Static RGBWA	High-power RGBWA	12 pcs	54 W / 72 W	4590 / 6120 lm	DMX	5°-90°

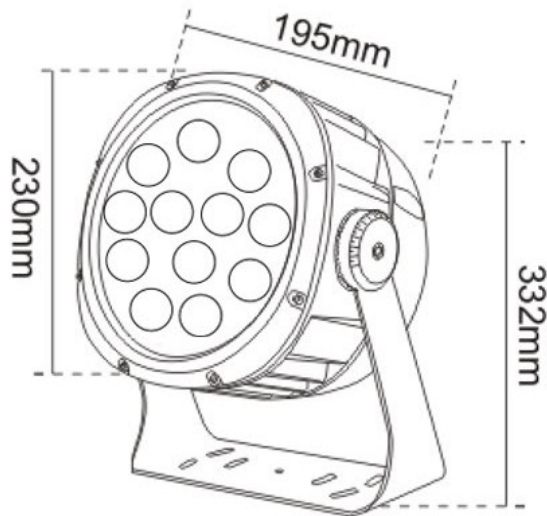
## Specifications

<b>Series</b>	LED Flood Series — RGBW / CCT
<b>Product code</b>	PL-FLD-40-*.~.* (see Configure your product on page 4)
<b>LED type</b>	CREE / OSRAM high-power · 4-in-1 RGBW + warm white
<b>LED quantity</b>	12 pcs
<b>Operating voltage</b>	24 V DC
<b>Wattage</b>	54 W or 72 W
<b>Luminous flux</b>	4590 lm (54 W) · 6120 lm (72 W)
<b>CRI</b>	RA80+ (based on 3000 K)
<b>CCT options</b>	Static: 2700 K · 3000 K · 3500 K · 4000 K · 5700 K
<b>RGBW options</b>	RGBW — 3000 K · RGBW — 4000 K · RGBWA
<b>Beam angle</b>	3°* · 5° · 10° · 15° · 20° · 25° · 45° · 60° · 90° · 10°×45° · 15°×32° (*static CCT only)
<b>Control protocol</b>	DMX
<b>LED lifetime</b>	80% lumen maintenance after 50,000 hours
<b>Dimensions</b>	Ø 230 mm × H 332 mm × D 195 mm
<b>Weight</b>	5.0 kg
<b>Housing</b>	Die-cast aluminium · powder coating
<b>Front screen</b>	4 mm tempered glass
<b>IP / IK rating</b>	IP67 · IK05
<b>Operating temperature</b>	-20 °C to +45 °C
<b>Installation</b>	With bracket and screws · snoot (optional)
<b>Compliance</b>	CE
<b>Warranty</b>	5 years, limited

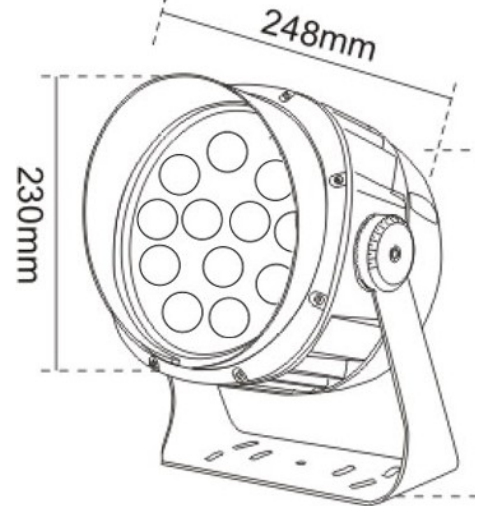
PROJECT	FIRM	ORDER #	TYPE	QTY
---------	------	---------	------	-----

## Dimensions

### Without Glare Snoot



### With Glare Snoot



Ø 230 mm body · 332 mm overall height · 195 mm depth — 248 mm with the glare snoot fitted. Dimensions are identical across all variants.

## Installation

### Mounting

- Fix the supplied bracket to the substrate with suitable screws, then mount the projector. The rotation design allows infinite positioning — set the aiming angle and lock it.
- Fit the optional snoot where glare control is required.

### Electrical

- Supply 24 V DC from a constant-voltage driver of adequate wattage (54 W or 72 W per fixture, plus headroom).
- RGBW and RGBWA versions require a DMX signal — run DMX as a twisted pair and keep cable lengths short between controller and first fixture.
- IP67 — suitable for permanent outdoor use; seal all cable joints to the same rating.

PROJECT	FIRM	ORDER #	TYPE	QTY
---------	------	---------	------	-----

## Configure your product

Build your model code in the form PL-FLD-40-\*\*-\*\*, replacing the asterisks with the option codes below: colour (CCT / RGBW), wattage, beam angle.

Option	CCT / RGBW variant	Option	Wattage / Beam angle
A	Static CCT — 2700 K	1	54 W
B	Static CCT — 3000 K	2	72 W
C	Static CCT — 3500 K	A	Beam 3° (static CCT only)
D	Static CCT — 4000 K	B · C · D	Beam 5° · 10° · 15°
E	Static CCT — 5700 K	E · F · G	Beam 20° · 25° · 45°
F	Static RGBW — 3000 K	H · I	Beam 60° · 90°
G	Static RGBW — 4000 K	J	Beam 10°×45° elliptical
H	Static RGBWA	K	Beam 15°×32° elliptical

### Example product codes

**PL-FLD-40-A-1-B** LED flood light — Static CCT 2700 K · 54 W · 5° beam

**PL-FLD-40-F-2-C** LED flood light — Static RGBW 3000 K · 72 W · 10° beam

## DMX control

RGBW and RGBWA versions are controlled via DMX. Static CCT versions run directly from a 24 V DC supply and can be dimmed through an external DMX driver or dimmer.

### Output by wattage

Wattage	Luminous flux	Avg. LED life
54 W	4590 lm	50,000 h (80%)
72 W	6120 lm	50,000 h (80%)

### Control notes

- DMX is the control protocol for all colour-changing versions (RGBW / RGBWA).
- Pixelerr DMX controllers and the Pixelerr App can drive the PL-FLD 40 directly.
- Plan one 24 V DC supply of adequate wattage per fixture group.