

| PROJECT | FIRM | ORDER # | TYPE | QTY |
|---------|------|---------|------|-----|
|---------|------|---------|------|-----|



PL-FLD 30 is a versatile outdoor LED flood projector with a special rotation design that enables infinite positioning for a wide range of light effects. Its minimalistic die-cast aluminium housing makes it a natural fit for architectural facades and landscape lighting.

Built on 6 CREE / OSRAM high-power LEDs with a broad choice of optics, it offers precise control over brightness, colour and beam angle — available in static CCT, RGBW and RGBWA versions, in 36 W and 48 W ratings.

Features

- Rotation design with infinite positioning — aim, lock and re-aim for any light effect.
- 6 CREE / OSRAM high-power LEDs — 3060 lm (36 W) or 4080 lm (48 W).
- Eleven beam angle options from 3° to 90°, including 10°×45° and 15°×32° elliptical optics.
- Static CCT, RGBW and RGBWA versions; colour versions controlled via DMX.
- IP67 die-cast aluminium housing, 4 mm tempered glass front, IK05 impact rating.
- Supplied with mounting bracket and screws; optional snoot for glare control.

At a glance

| | | | | | |
|---|--|--|--|---|---|
| <p>⚡ Power 36 W / 48 W · 24 V DC</p> | <p>◆ Protection IP67 · IK05</p> | <p>✳ Beam 11 beam angle options</p> | <p>🌡 Temperature -20 °C to +45 °C</p> | <p>◆ CRI / Cert. RA80+ (3000 K) CE compliant</p> | <p>★ Warranty 5 years, limited</p> |
|---|--|--|--|---|---|

| PROJECT | FIRM | ORDER # | TYPE | QTY |
|---------|------|---------|------|-----|
|---------|------|---------|------|-----|

Variant matrix

Photometric and electrical performance by variant. The 3° beam angle is available only for static CCT versions.

| PL-FLD-30-* | LED type | LED qty | Wattage | Luminous flux | Control | Beam angles |
|--------------------|-------------------------|---------|-------------|----------------|---------|-------------|
| Static CCT — 36 W | CREE / OSRAM high-power | 6 pcs | 36 W | 3060 lm | DMX | 3°-90° |
| Static CCT — 48 W | CREE / OSRAM high-power | 6 pcs | 48 W | 4080 lm | DMX | 3°-90° |
| Static RGBW — 36 W | High-power 4-in-1 RGBW | 6 pcs | 36 W | 3060 lm | DMX | 5°-90° |
| Static RGBW — 48 W | High-power 4-in-1 RGBW | 6 pcs | 48 W | 4080 lm | DMX | 5°-90° |
| Static RGBWA | High-power RGBWA | 6 pcs | 36 W / 48 W | 3060 / 4080 lm | DMX | 5°-90° |

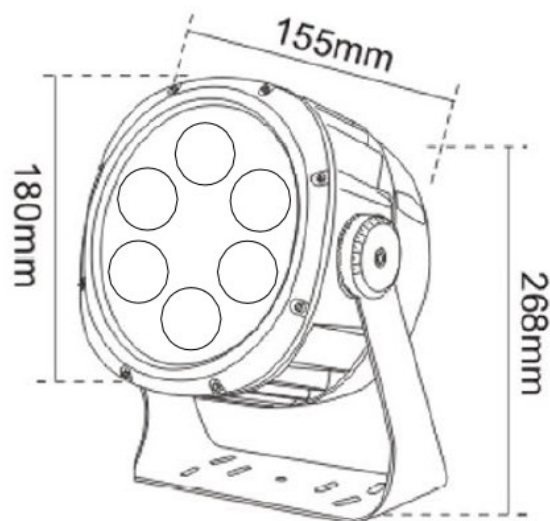
Specifications

| | |
|------------------------------|---|
| Series | LED Flood Series — RGBW / CCT |
| Product code | PL-FLD-30-*-*-* (see Configure your product on page 4) |
| LED type | CREE / OSRAM high-power · 4-in-1 RGBW + warm white |
| LED quantity | 6 pcs |
| Operating voltage | 24 V DC |
| Wattage | 36 W or 48 W |
| Luminous flux | 3060 lm (36 W) · 4080 lm (48 W) |
| CRI | RA80+ (based on 3000 K) |
| CCT options | Static: 2700 K · 3000 K · 3500 K · 4000 K · 5700 K |
| RGBW options | RGBW — 3000 K · RGBW — 4000 K · RGBWA |
| Beam angle | 3°* · 5° · 10° · 15° · 20° · 25° · 45° · 60° · 90° · 10°×45° · 15°×32° (*static CCT only) |
| Control protocol | DMX |
| LED lifetime | 80% lumen maintenance after 50,000 hours |
| Dimensions | Ø 180 mm × H 268 mm × D 155 mm |
| Weight | 2.80 kg |
| Housing | Die-cast aluminium · powder coating |
| Front screen | 4 mm tempered glass |
| IP / IK rating | IP67 · IK05 |
| Operating temperature | -20 °C to +45 °C |
| Installation | With bracket and screws · snoot (optional) |
| Compliance | CE |
| Warranty | 5 years, limited |

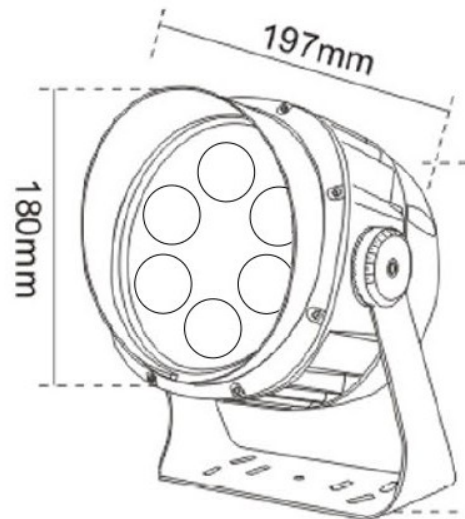
| PROJECT | FIRM | ORDER # | TYPE | QTY |
|---------|------|---------|------|-----|
|---------|------|---------|------|-----|

Dimensions

Without Glare Snoot



With Glare Snoot



Ø 180 mm body · 268 mm overall height · 155 mm depth — 197 mm with the glare snoot fitted. Dimensions are identical across all variants.

Installation

Mounting

- Fix the supplied bracket to the substrate with suitable screws, then mount the projector. The rotation design allows infinite positioning — set the aiming angle and lock it.
- Fit the optional snoot where glare control is required.

Electrical

- Supply 24 V DC from a constant-voltage driver of adequate wattage (36 W or 48 W per fixture, plus headroom).
- RGBW and RGBWA versions require a DMX signal — run DMX as a twisted pair and keep cable lengths short between controller and first fixture.
- IP67 — suitable for permanent outdoor use; seal all cable joints to the same rating.

| | | | | |
|---------|------|---------|------|-----|
| PROJECT | FIRM | ORDER # | TYPE | QTY |
|---------|------|---------|------|-----|

Configure your product

Build your model code in the form PL-FLD-30-**-**, replacing the asterisks with the option codes below: colour (CCT / RGBW), wattage, beam angle.

| Option | CCT / RGBW variant | Option | Wattage / Beam angle |
|--------|----------------------|-----------|---------------------------|
| A | Static CCT — 2700 K | 1 | 36 W |
| B | Static CCT — 3000 K | 2 | 48 W |
| C | Static CCT — 3500 K | A | Beam 3° (static CCT only) |
| D | Static CCT — 4000 K | B · C · D | Beam 5° · 10° · 15° |
| E | Static CCT — 5700 K | E · F · G | Beam 20° · 25° · 45° |
| F | Static RGBW — 3000 K | H · I | Beam 60° · 90° |
| G | Static RGBW — 4000 K | J | Beam 10°×45° elliptical |
| H | Static RGBWA | K | Beam 15°×32° elliptical |

Example product codes

PL-FLD-30-A-1-B LED flood light — Static CCT 2700 K · 36 W · 5° beam

PL-FLD-30-F-2-C LED flood light — Static RGBW 3000 K · 48 W · 10° beam

DMX control

RGBW and RGBWA versions are controlled via DMX. Static CCT versions run directly from a 24 V DC supply and can be dimmed through an external DMX driver or dimmer.

Output by wattage

| Wattage | Luminous flux | Avg. LED life |
|---------|---------------|----------------|
| 36 W | 3060 lm | 50,000 h (80%) |
| 48 W | 4080 lm | 50,000 h (80%) |

Control notes

- DMX is the control protocol for all colour-changing versions (RGBW / RGBWA).
- Pixelerr DMX controllers and the Pixelerr App can drive the PL-FLD 30 directly.
- Plan one 24 V DC supply of adequate wattage per fixture group.