

PROJECT	FIRM	ORDER #	TYPE	QTY
---------	------	---------	------	-----



PL-FLD 15 is a versatile outdoor LED flood projector with a special rotation design that enables infinite positioning for a wide range of light effects. Its minimalistic die-cast aluminium housing makes it a natural fit for architectural facades and landscape lighting.

Built on 12 CREE / OSRAM high-power LEDs with a broad choice of optics, it offers precise control over brightness, colour and beam angle — available in static CCT, RGBW and RGBWA versions, in 18 W and 24 W ratings.

Features

- Rotation design with infinite positioning — aim, lock and re-aim for any light effect.
- 12 CREE / OSRAM high-power LEDs — 1530 lm (18 W) or 2040 lm (24 W).
- Eleven beam angle options from 3° to 90°, including 10°×45° and 15°×32° elliptical optics.
- Static CCT, RGBW and RGBWA versions; colour versions controlled via DMX.
- IP67 die-cast aluminium housing, 4 mm tempered glass front, IK05 impact rating.
- Supplied with mounting bracket and screws; optional snoot for glare control.

At a glance

<p>⚡ Power 18 W / 24 W · 24 V DC</p>	<p>◆ Protection IP67 · IK05</p>	<p>☀ Beam 11 beam angle options</p>	<p>🌡 Temperature -20 °C to +45 °C</p>	<p>◆ CRI / Cert. RA80+ (3000 K) CE compliant</p>	<p>★ Warranty 5 years, limited</p>
---	--	--	--	---	---

PROJECT	FIRM	ORDER #	TYPE	QTY
---------	------	---------	------	-----

Variant matrix

Photometric and electrical performance by variant. The 3° beam angle is available only for static CCT versions.

PL-FLD-15-*	LED type	LED qty	Wattage	Luminous flux	Control	Beam angles
Static CCT — 18 W	CREE / OSRAM high-power	12 pcs	18 W	1530 lm	DMX	3°-90°
Static CCT — 24 W	CREE / OSRAM high-power	12 pcs	24 W	2040 lm	DMX	3°-90°
Static RGBW — 18 W	High-power 4-in-1 RGBW	12 pcs	18 W	1530 lm	DMX	5°-90°
Static RGBW — 24 W	High-power 4-in-1 RGBW	12 pcs	24 W	2040 lm	DMX	5°-90°
Static RGBWA	High-power RGBWA	12 pcs	18 W / 24 W	1530 / 2040 lm	DMX	5°-90°

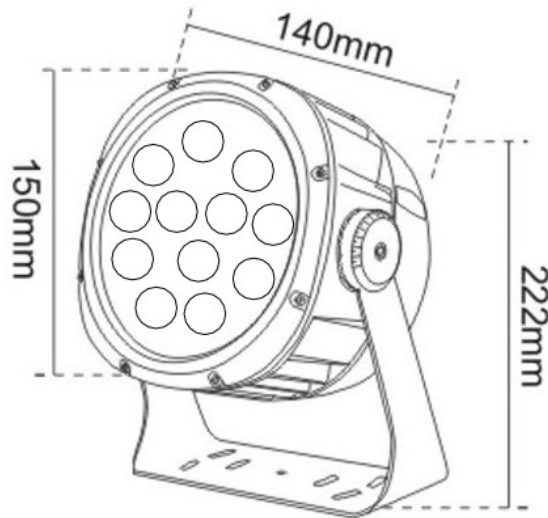
Specifications

Series	LED Flood Series — RGBW / CCT
Product code	PL-FLD-15-*-*-* (see Configure your product on page 4)
LED type	CREE / OSRAM high-power · 4-in-1 RGBW + warm white
LED quantity	12 pcs
Operating voltage	24 V DC
Wattage	18 W or 24 W
Luminous flux	1530 lm (18 W) · 2040 lm (24 W)
CRI	RA80+ (based on 3000 K)
CCT options	Static: 2700 K · 3000 K · 3500 K · 4000 K · 5700 K
RGBW options	RGBW — 3000 K · RGBW — 4000 K · RGBWA
Beam angle	3°* · 5° · 10° · 15° · 20° · 25° · 45° · 60° · 90° · 10°×45° · 15°×32° (*static CCT only)
Control protocol	DMX
LED lifetime	80% lumen maintenance after 50,000 hours
Dimensions	Ø 150 mm × H 222 mm × D 140 mm
Weight	1.80 kg
Housing	Die-cast aluminium · powder coating
Front screen	4 mm tempered glass
IP / IK rating	IP67 · IK05
Operating temperature	-20 °C to +45 °C
Installation	With bracket and screws · snoot (optional)
Compliance	CE
Warranty	5 years, limited

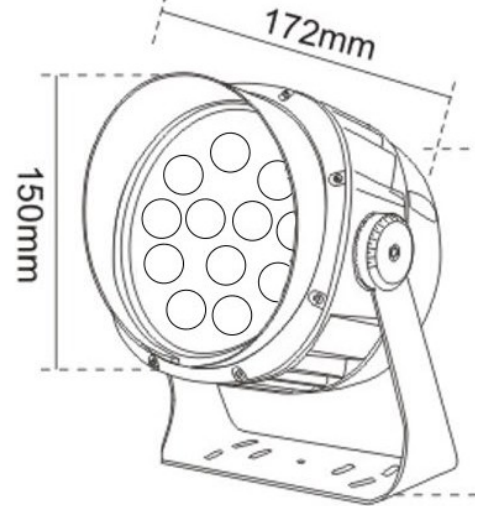
PROJECT	FIRM	ORDER #	TYPE	QTY
---------	------	---------	------	-----

Dimensions

Without Glare Snoot



With Glare Snoot



Ø 150 mm body · 222 mm overall height · 140 mm depth — 172 mm with the glare snoot fitted. Dimensions are identical across all variants.

Installation

Mounting

- Fix the supplied bracket to the substrate with suitable screws, then mount the projector. The rotation design allows infinite positioning — set the aiming angle and lock it.
- Fit the optional snoot where glare control is required.

Electrical

- Supply 24 V DC from a constant-voltage driver of adequate wattage (18 W or 24 W per fixture, plus headroom).
- RGBW and RGBWA versions require a DMX signal — run DMX as a twisted pair and keep cable lengths short between controller and first fixture.
- IP67 — suitable for permanent outdoor use; seal all cable joints to the same rating.

PROJECT	FIRM	ORDER #	TYPE	QTY
---------	------	---------	------	-----

Configure your product

Build your model code in the form PL-FLD-15-**-**, replacing the asterisks with the option codes below: colour (CCT / RGBW), wattage, beam angle.

Option	CCT / RGBW variant	Option	Wattage / Beam angle
A	Static CCT — 2700 K	1	18 W
B	Static CCT — 3000 K	2	24 W
C	Static CCT — 3500 K	A	Beam 3° (static CCT only)
D	Static CCT — 4000 K	B · C · D	Beam 5° · 10° · 15°
E	Static CCT — 5700 K	E · F · G	Beam 20° · 25° · 45°
F	Static RGBW — 3000 K	H · I	Beam 60° · 90°
G	Static RGBW — 4000 K	J	Beam 10°×45° elliptical
H	Static RGBWA	K	Beam 15°×32° elliptical

Example product codes

PL-FLD-15-A-1-B LED flood light — Static CCT 2700 K · 18 W · 5° beam

PL-FLD-15-F-2-C LED flood light — Static RGBW 3000 K · 24 W · 10° beam

DMX control

RGBW and RGBWA versions are controlled via DMX. Static CCT versions run directly from a 24 V DC supply and can be dimmed through an external DMX driver or dimmer.

Output by wattage

Wattage	Luminous flux	Avg. LED life
18 W	1530 lm	50,000 h (80%)
24 W	2040 lm	50,000 h (80%)

Control notes

- DMX is the control protocol for all colour-changing versions (RGBW / RGBWA).
- Pixelerr DMX controllers and the Pixelerr App can drive the PL-FLD 15 directly.
- Plan one 24 V DC supply of adequate wattage per fixture group.